

# CENTURYÆ

LEGENDARY LEADERSHIP



## OWNER'S MANUAL

# 1060 / SDU2

## INSTALLATION, OPERATION, MAINTENANCE & PARTS

**NOTE: MANUAL including SPECIFICATIONS, subject to change without notice  
All ratings specified are based on structural factors only,  
not vehicle capacities or capabilities.**

## CENTURYÆ

Miller Industries Towing Equipment Inc.  
8503 Hilltop Drive  
Ooltewah, Tennessee 37363

FORM NO. 0501015  
12 / 98

Phone (423) 238-4171 • FAX (423) 238-5371

PRICE \$25.00

## LIMITED WARRANTY

MILLER INDUSTRIES TOWING EQUIPMENT INC., hereinafter referred to as MILLER, warrants to the original purchaser that each new MILLER wrecker or other MILLER products will be free from defects in material and workmanship for a period of twelve (12) months from date placed in service, but in no event shall such warranty period exceed twenty-four (24) months from date of manufacture by MILLER. The purchaser must promptly notify MILLER in writing of any failure in material or workmanship. In no event shall MILLER accept such notification later than twenty-four (24) months from date of delivery or twelve (12) months from date placed in service, whichever is earlier.

MILLER's obligation under this warranty, statutory or otherwise, is limited to the repair or replacement at the MILLER factory, or at a point designated by MILLER, of such part or parts as shall appear upon inspection by MILLER to be defective in material or workmanship. New or remanufactured parts will be used for any replacement at MILLER's option. This warranty is not transferable. This warranty does not obligate MILLER to bear the cost of labor or transportation charges in connection with the repair or replacement of any parts found to be defective, nor shall it apply to a product upon which repairs or alterations have been made unless authorized by MILLER.

EXCEPT AS EXPRESSLY SET FORTH IN THIS WARRANTY, MILLER MAKES NO OTHER WARRANTY, EXPRESS OR IMPLIED, AND HEREBY DISCLAIMS ALL OTHER WARRANTIES INCLUDING, BUT NOT LIMITED TO, THE IMPLIED WARRANTIES OF MERCHANTABILITY AND FITNESS FOR A PARTICULAR PURPOSE. MILLER shall in no event be liable for claimed downtime, claimed loss of profits or goodwill, or any other special, incidental, indirect, or consequential damages concerning or relating to any product or parts, whether based on negligence, strict liability, breach of contract, breach of warranty, misrepresentation or any other legal theory, regardless of whether the loss resulted from any general or particular requirement which MILLER knew or had reason to know about at the time of sale.

MILLER MAKES NO WARRANTY, EXPRESS OR IMPLIED, AS TO THE FINISHED PRODUCTS MANUFACTURED OR SUPPLIED BY ANOTHER MANUFACTURER AND SUPPLIED BY MILLER TO PURCHASER, including, but not limited to, any vehicle to which a MILLER product may be affixed or any accessories or wire rope, and MILLER EXPRESSLY DISCLAIMS ANY IMPLIED WARRANTIES OF MERCHANTABILITY OR FITNESS FOR A PARTICULAR PURPOSE AS TO SUCH EQUIPMENT OR PRODUCTS. This language shall in no way affect or diminish the rights of the purchaser to rely on such warranties as are extended by such manufacturers or suppliers. MILLER shall, to the extent permitted under applicable law, pass on to the purchaser such manufacturer's or seller's warranty.

MILLER, whose policy is one of continuous improvement, reserves the right to improve its products through changes in design or materials as it may deem desirable without being obligated to incorporate such changes in products previously sold. This warranty is not intended to cover or include the following items, which are set forth by way of example and not limitation:

- A. Normal deterioration of trim, paint, lettering, and appearance items due to wear or exposure to weather, road conditions, road treatments, etc.
- B. Any damage or defect due to accident, misuse, abuse, improper or unauthorized repairs, failure to provide reasonable and necessary maintenance, or uses for which the equipment was not designed or intended.
- C. Alterations or modifications that affect performance, operation or reliability.
- D. Normal maintenance parts including, but not limited to, wear pads, bushings, wire rope, mud flaps, fenderettes, light bulbs, hydraulic oil, filters, and tow sling belts.

**IT IS EXPRESSLY UNDERSTOOD THAT MILLER MAKES NO IMPLIED WARRANTY THAT MILLER PRODUCTS SHALL BE FIT FOR THE PURPOSE OF LIFTING OR MOVING PEOPLE OR FOR ANY OTHER IMPROPER USE.**



Miller Industries Towing Equipment Inc.  
8503 Hilltop Drive  
Ooltewah, Tennessee 37363

Telephone (423) 238-4171

**SERIAL NUMBER**

## Section VI - PARTS

This Section is provided by the manufacturer for the purpose of ordering any component part of the **CENTURY 1060 Wrecker** and **Super Duty Underlift** that may be required when part replacement is necessary. Be certain to use only original equipment replacement parts for warranty purposes as well as for keeping your **CENTURY 1060 Wrecker** and **Super Duty Underlift** in its original state and optimum operating capacities.

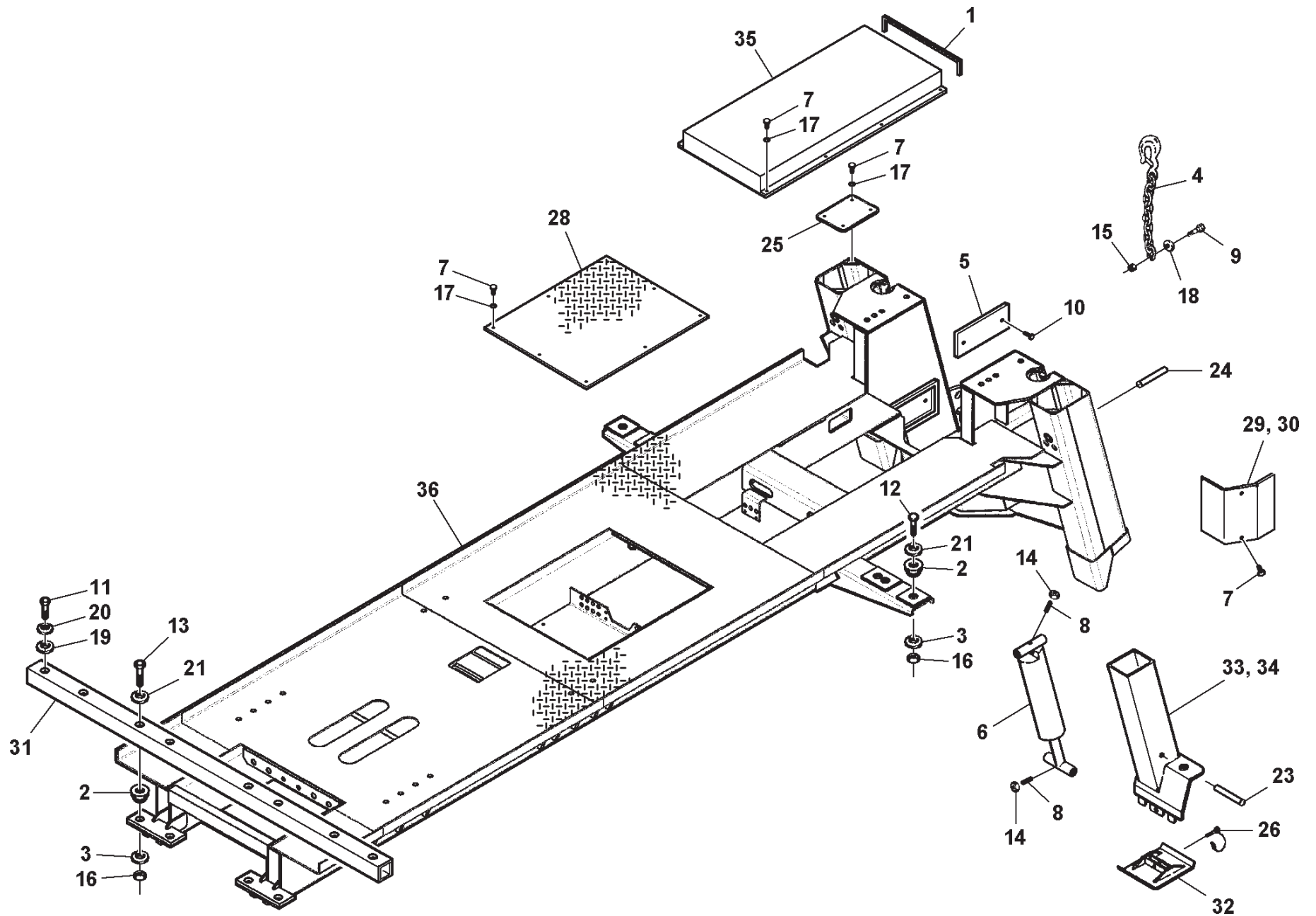
When ordering replacement or spare parts be sure to provide the following information to the manufacturer's **Parts Department**.

1. **Manual Number & Date of Publication**
2. **Manual Page Number**
3. **Page Title**
4. **Reference Number of Part Desired**
5. **Part Number**
6. **Part Description**
7. **Quantity of Part Desired**

Providing this information will help ensure that the correct parts will be delivered to you in an expedient manner without delay. Should additional information be required for repair or replacement of certain components, contact your Wrecker Manufacturer Authorized Representative.

The Manufacturer reserves the right, without notice or obligation, to improve or modify their products, which may change the specifications, models and feature availability.

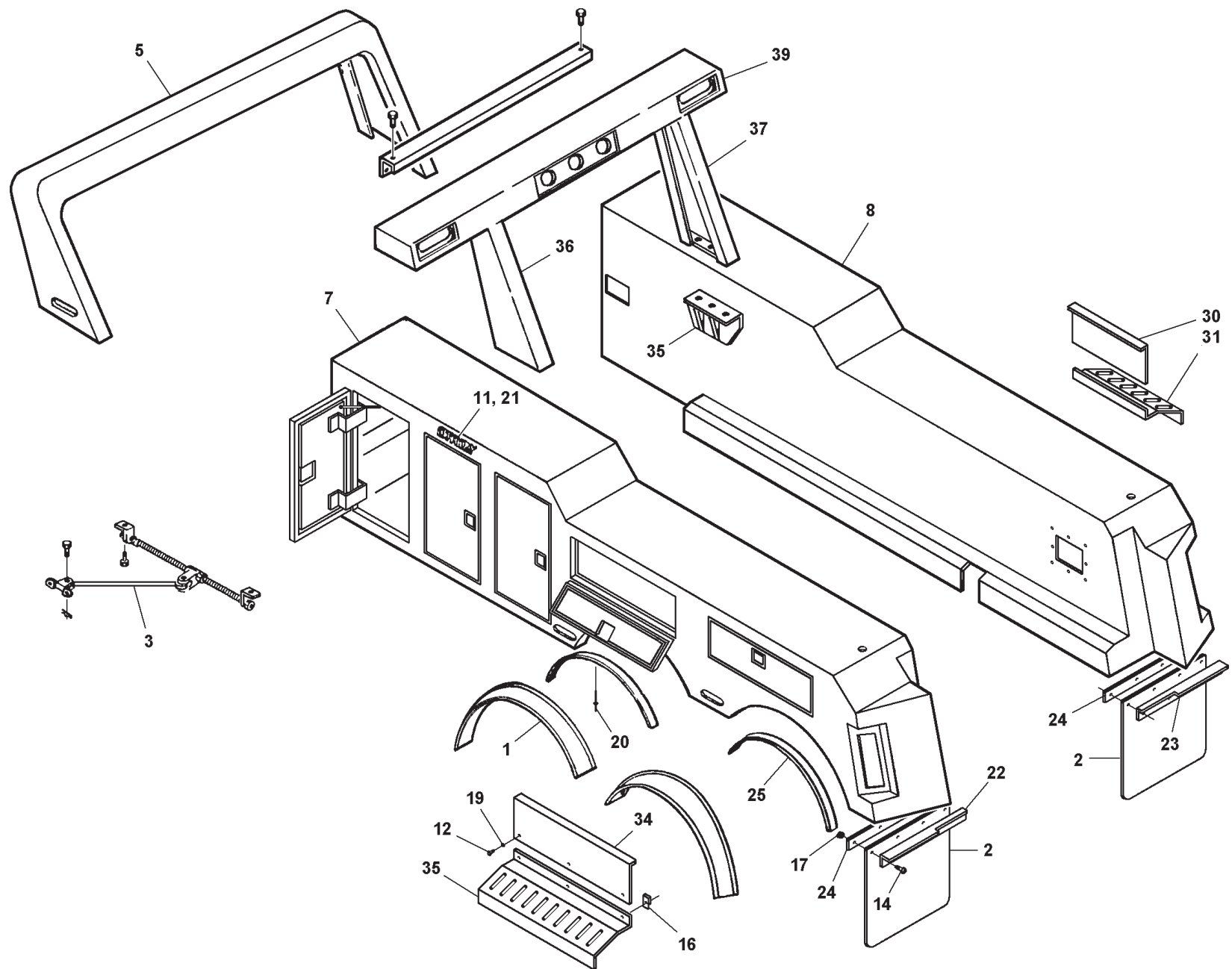
Section VI - PARTS (cont'd)  
SUBFRAME ASSEMBLY



**Section VI - PARTS (cont'd)**  
**SUBFRAME ASSEMBLY**

REF. NO.	NO. REQ'D	PART NUMBER	DESCRIPTION
1	10 ft.	0301851	TRIM-LOCK, 1/8"
2	8	0302540	CENTER BONDED MOUNT (BE0102)
3	20	0302541	WASHER, SPECIAL (BE0103)
4	2	0303445	SAFETY CHAIN, SYSTEM 10, 1/2" X 14'
5	2	0303481	SLIDE PAD, BUMPER
6	REF.	0303688	CYLINDER, REAR SPADE
7	30	0400066	SCREW, 1/4"-20 X 3/4" HEX HD CAP
8	4	0400139	SCREW, 3/8"-16 X 1-1/2" HEX SKT SET
9	2	0400211	SCREW, 1/2"-13 X 1-3/4" HEX HD CAP
10	4	0400223	SCREW, 3/8"-16 X 3/4" FL HD SKT
11	4	0400276	SCREW, 5/8"-11 X 4-1/2" HEX HD CAP
12	4	0400281	SCREW, 3/4"-10 X 3-1/2" HEX HD CAP
13	4	0400294	SCREW, 3/4"-10 X 6-1/2" HEX HD CAP
14	4	0400392	NUT, 3/8"-16 NYLOK HEX
15	2	0400408	NUT, 1/2"-13 NYLOK HEX
16	4	0400430	NUT, 3/4"-10 NYLOK HEX
17	30	0400452	LOCKWASHER, 1/4" HELICAL
18	2	0400492	WASHER, 1/2" FLAT
19	8	0400506	WASHER, 5/8" FLAT
20	4	0400508	LOCKWASHER, 5/8" HELICAL
21	8	0400510	WASHER, 3/4" FLAT
22	2	0400564	ROLL PIN, 3/8" X 1-3/4" (NOT SHOWN)
23	2	0700884	SHAFT, LOWER JACK
24	2	0707117	SHAFT, UPPER SPADE
25	2	0707194	COVER, SPADE TUBE
26	2	0707199	PIN, SPADE PAD
27	2	0708452	"D" RING, TOWING (NOT SHOWN)
28	1	0711820	FLOOR PLATE, ACCESS COVER
29	1	0714342	CHAIN BOX COVER, LT
30	1	0714343	CHAIN BOX COVER, RT
31	1	0802211	FRONT BODY MOUNTING TUBE
32	2	0802221	SPADE PAD
33	1	0802398	SPADE, LEFT INNER
34	1	0802399	SPADE, RIGHT INNER
35	1	0803315	CYLINDER COVER WELDMENT
36	1	0804039	SUBFRAME WELDMENT
37	2	GA0215	PIN, "D" RING (NOT SHOWN)

# Section VI - PARTS (cont'd) BODY ASSEMBLY



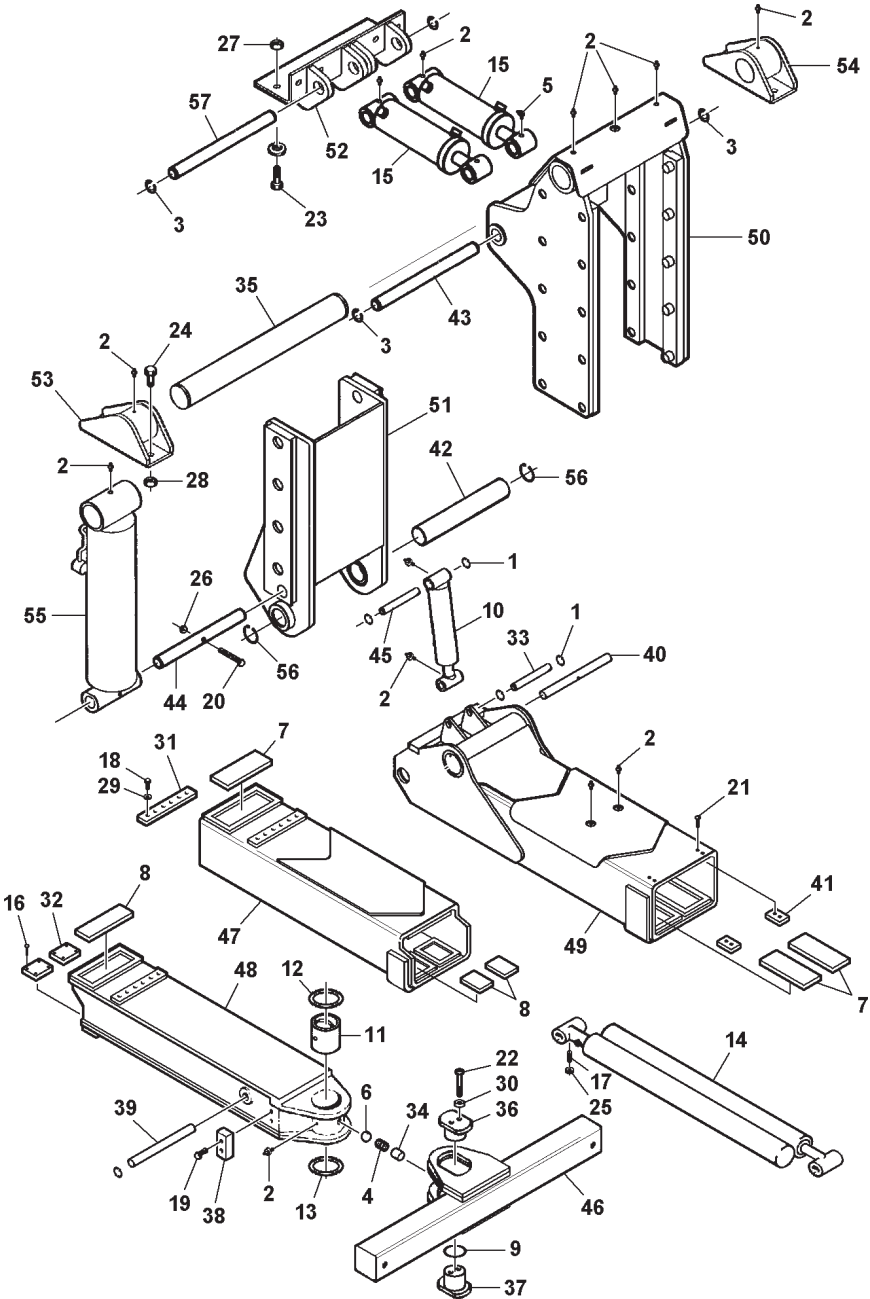
## Section VI - PARTS (cont'd)

### BODY ASSEMBLY

REF. NO.	NO. REQ'D	PART NUMBER	DESCRIPTION
1	28 FT.	0300345	RUBBER FENDER
2	2	0301223	MUDFLAP
3	6	0301912	DOOR CHECK, 11"
4	2	0301934	DOOR STOP
5	1	0302562	LIGHT BAR, DELUXE (OPTIONAL)
6	6 ft.	0303056	"D" GASKET (NOT SHOWN)
7	1	0303708	LEFT TOOL COMPARTMENT, 156" C.B.
8	1	0303709	RIGHT TOOL COMPARTMENT, 156" C.B.
9	1	0303061	BACK UP ALARM (NOT SHOWN)
10	2	0400016	SCREW, #8-32 x 1" FL PHIL HD
11	6	0400035	SCREW, #10-24 X 1/2" OVAL HD SELF-TAP
12	6	0400061	SCREW, 1/4"-20 X 3/4" PAN HD SLOTTED
13	6	0400066	SCREW, 1/4"-20 X 3/4" HEX HD CAP
14	8	0400122	SCREW, 3/8"-16 X 1-1/4" HEX HD CAP
15	38	0400288	SCREW, 3/4"-10 X 2-1/2" HEX HD CAP GR8
16	6	0400369	CLIP, 1/4" TINNERMAN
17	8	0400392	NUT, 3/8"-16 NYLOK HEX
18	38	0400431	NUT, 3/4"-10 NYLOK HEX GR8
19	6	0400451	WASHER, 1/4" FLAT
20	76	0400566	RIVET, 1/4"
21	2	0500406	CENTURY NAMEPLATE
22	1	0705090	MUDFLAP MTG ANGLE, LEFT
23	1	0705091	MUDFLAP MTG ANGLE, RIGHT
24	2	0705092	BAR, MUDFLAP
25	4	0706609	RETAINING STRIP, FENDER
26	2	0707174	TAILGATE MOUNTING ANGLE
27	2	0707175	MOUNTING PLATE
28	2	0709453	MOUNTING PLATE
29	2	0711286	SPACER, REAR FRAME BRACKET
30	1	0711289	SWITCH PANEL, RIGHT
31	1	0711290	CONTROL PANEL, RIGHT
32	2	0714176	GASKET, BASE ANGLE (NOT SHOWN)
33	2	0714177	GASKET (NOT SHOWN)
34	1	0714272	GAUGE PANEL
35	1	0714273	CONTROL PANEL
36	1	0802224	VERTICAL SUPPORT, L.H.
37	1	0802225	VERTICAL SUPPORT, R.H.
38	2	0802226	MOUNTING BRACKET
39	1	0802260	TOP CHANNEL

# Section VI - PARTS (cont'd)

## SDU2 ASSEMBLY





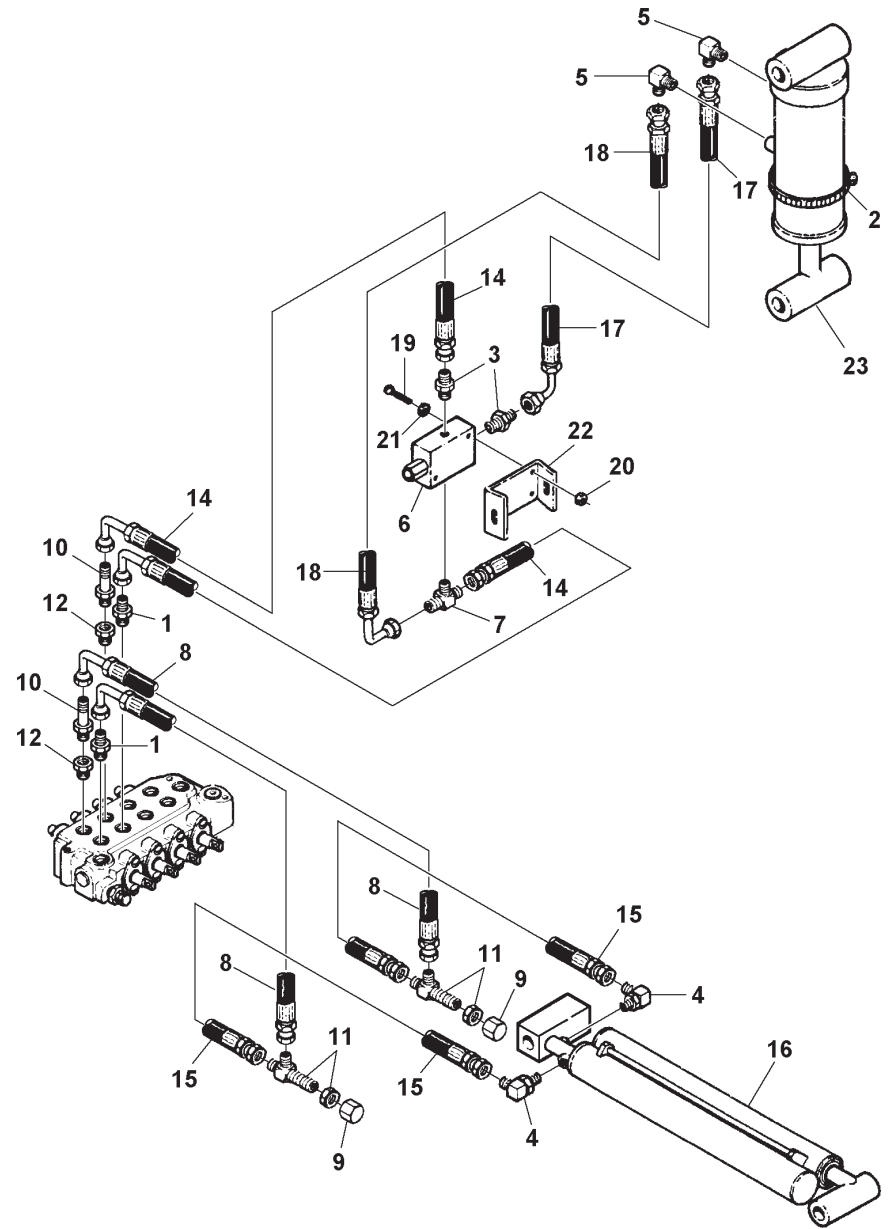
**Section VI - PARTS (cont'd)**  
**SDU2 ASSEMBLY**

REF. NO.	NO. REQ'D	PART NUMBER	DESCRIPTION
1	4	0300110	SNAP RING, 1"
2	15	0300113	GREASE FITTING
3	4	0300329	SNAP RING, 2" EXTERNAL
4	1	0301197	COMPRESSION SPRING
5	2	0301397	GREASE FITTING, 90°
6	1	0301398	STEEL BALL, 1-3/16"
7	3	0301817	SLIDE PAD
8	3	0301818	SLIDE PAD
9	1	0301822	O-RING, PIVOT PIN
10	1	0302537	FOLD CYLINDER
11	1	0303088	BUSHING, PIVOT PIN
12	2	0303097	THRUST WASHER, 1/8"
13	2	0303098	THRUST WASHER, 1/16"
14	1	0303501	EXTEND CYLINDER
15	2	0303902	TILT CYLINDER
16	8	0400044	DRIVE SCREW, #10 X 1/2" RD HD
17	2	0400139	SCREW, 3/8"-16 X 1-1/2" HEX SKT SET
18	6	0400151	SCREW, 3/8"-24 X 3/4" HEX HD CAP
19	4	0400196	SCREW, 1/2"-13 X 1-1/4" SKT HD CAP
20	1	0400219	SCREW, 1/2"-13 X 4-1/2" HEX HD CAP
21	4	0400228	SCREW, 3/8"-24 X 5/8" BUTTON HD SKT
22	2	0400271	SCREW, 5/8"-11 X 4-1/2" SKT HD CAP
23	8	0400288	SCREW, 3/4"-10 X 2-1/2" HEX HD CAP GR8
24	8	0400306	SCREW, 7/8"-9 X 3" HEX HD CAP GR8
25	2	0400392	NUT, 3/8"-16 NYLOK HEX
26	1	0400408	NUT, 1/2"-13 NYLOK HEX
27	8	0400430	NUT, 3/4"-10 NYLOK HEX
28	8	0400437	NUT, 7/8"-9 NYLOK HEX
29	6	0400481	LOCKWASHER, 3/8" EXTERNAL TOOTH
30	2	0400508	LOCKWASHER, 5/8" HELICAL
31	1	0703233	STOP PLATE
32	2	0703277	SLIDER PAD
33	1	0707179	PIN
34	1	0708470	SPACER, DETENT BALL
35	1	0709242	PIN, MAIN PIVOT

REF. NO.	NO. REQ'D	PART NUMBER	DESCRIPTION
36	1	0710051	PIVOT PIN, TOP HALF
37	1	0710052	PIVOT PIN, BOTTOM HALF
38	2	0710450	RETRACT BAR
39	1	0712174	SHAFT, EXTEND CYLINDER INNER BOOM
40	1	0712195	SHAFT, EXTEND CYLINDER OUTER BOOM
41	2	0712213	STOP PLATE
42	1	0714209	PIVOT PIN
43	1	0714218	PIN, TILT CYLINDER ROD END
44	1	0714219	PIN, LIFT CYLINDER ROD END
45	1	0714240	PIN, FOLD CYLINDER
46	1	0802914	CROSSBAR WELDMENT
47	1	0803441	2ND STAGE BOOM WELDMENT
48	1	0803442	INNER BOOM WELDMENT
49	1	0804029	OUTER BOOM WELDMENT
50	1	0804030	OUTER MAST WELDMENT
51	1	0804032	INNER MAST WELDMENT
52	1	0804034	TILT CYLINDER MOUNTING BRACKET
53	1	0804035	LEFT PIVOT SUPPORT WELDMENT
54	1	0804036	RIGHT PIVOT SUPPORT WELDMENT
55	1	HC0159	LIFT CYLINDER
56	2	HD0152	SNAP RING, 3" EXTERNAL
57	1	UK0126	PIN, TILT CYLINDER BASE END
--	--	0904785	HOSE TENSION KIT (NOT SHOWN)
58	2	0400082	EYEBOLT, 1/4"-20 X 1-1/8"
59	4	0400191	SCREW, 1/2"-13 X 3-3/4" HEX HD CAP
60	2	0400366	NUT, 1/4"-20 HEX
61	1	0400367	NUT, 1/4"-20 NYLOK HEX
62	4	0400413	NUT, 1/2"-20 NYLOK HEX
63	4	0703484	PULLEY, HOSE TENSIONER
64	2	0703487	BRACKET, HOSE TENSIONER PULLEY
65	8	0703488	WASHER, HOSE TENSIONER PULLEY
66	4	0714388	ANGLE, NYLON SHEAVE
67	2	AWS-1011-A	CLAW SPRING

# Section VI - PARTS (cont'd)

## SDU2 LIFT & EXTEND HYDRAULICS



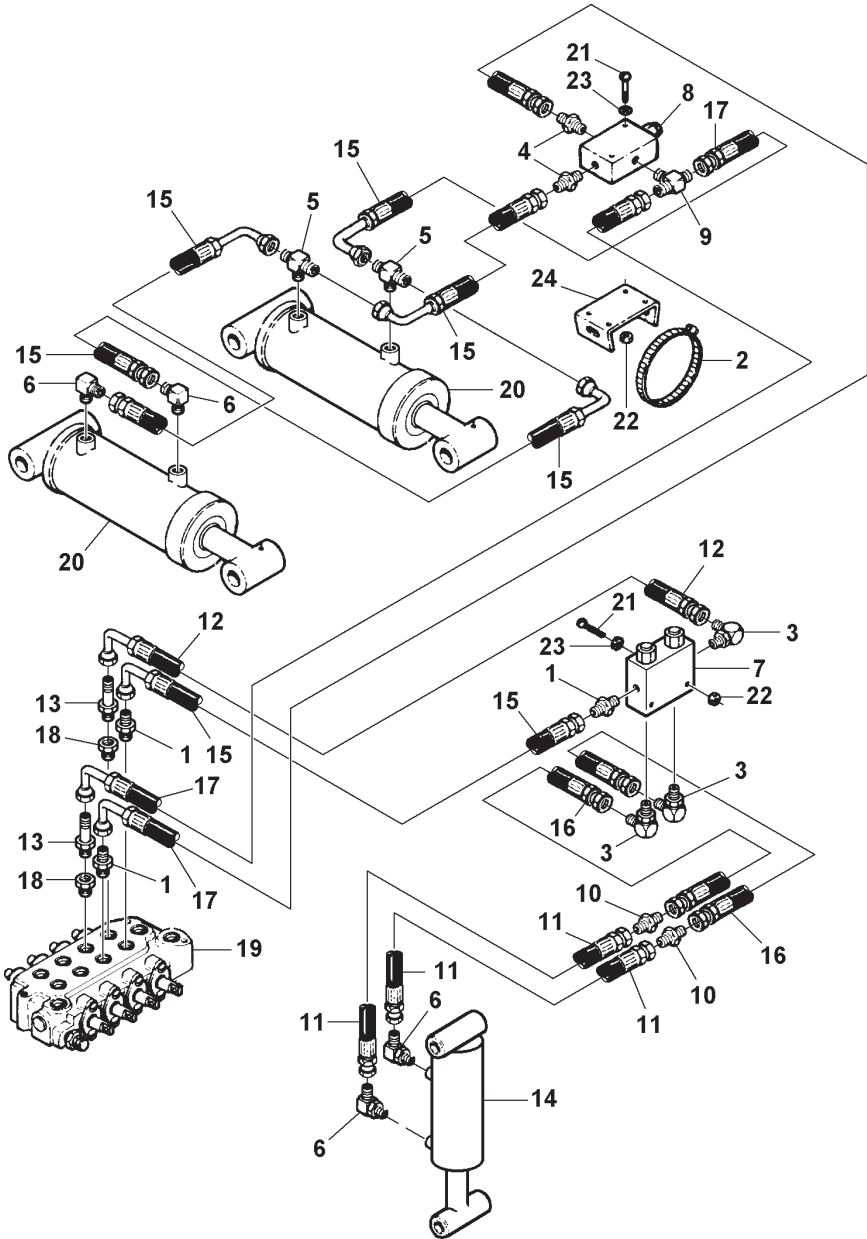
## Section VI - PARTS (cont'd)

### SDU2 LIFT & EXTEND HYDRAULICS

REF. NO.	NO. REQ'D	PART NUMBER	DESCRIPTION
1	2	0300044	CONNECTOR, 6MJ-8MB
2	1	0300644	HOSE CLAMP, 8"
3	2	0301425	CONNECTOR, 6MJ-6MP
4	2	0301470	ELBOW, 6MJ-8MB90
5	2	0301620	ELBOW, 6MJ-6MB90
6	1	0301731	HOLDING VALVE
7	1	0301782	MALE RUN TEE, 6MJ-4MP-6MJ
8	2	0301998	HOSE ASSEMBLY, 24"
9	2	0302065	CAP, 6MJ
10	2	0302510	ADAPTER, 6MJ-6MBL
11	2	0302575	BULKHEAD RUN TEE, 6MJ
12	2	0303017	CONNECTOR, 8MB-6FB
13	REF.	0303093	CONTROL VALVE, VDP11DDDC110
14	2	0303170	HOSE ASSEMBLY, 75"
15	2	0303187	HOSE ASSEMBLY, 141"
16	1	0303501	EXTEND CYLINDER
17	1	0303967	HOSE ASSEMBLY, 7"
18	1	0303968	HOSE ASSEMBLY, 10"
19	2	0400078	SCREW, 1/4"-20 X 2" HEX HD CAP
20	2	0400367	NUT, 1/4"-20 HEX NYLOK
21	2	0400451	WASHER, 1/4" FLAT
22	1	0703001	BRACKET, CHECK VALVE MOUNTING
23	1	HC0159	LIFT CYLINDER

# Section VI - PARTS (cont'd)

## SDU2 TILT & FOLD HYDRAULICS



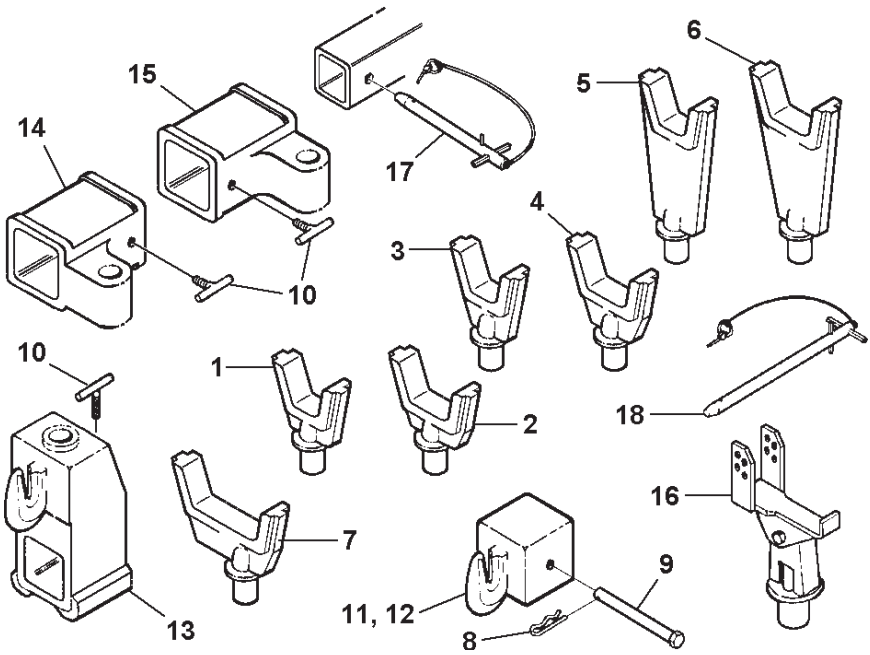
## Section VI - PARTS (cont'd)

### SDU2 TILT & FOLD HYDRAULICS

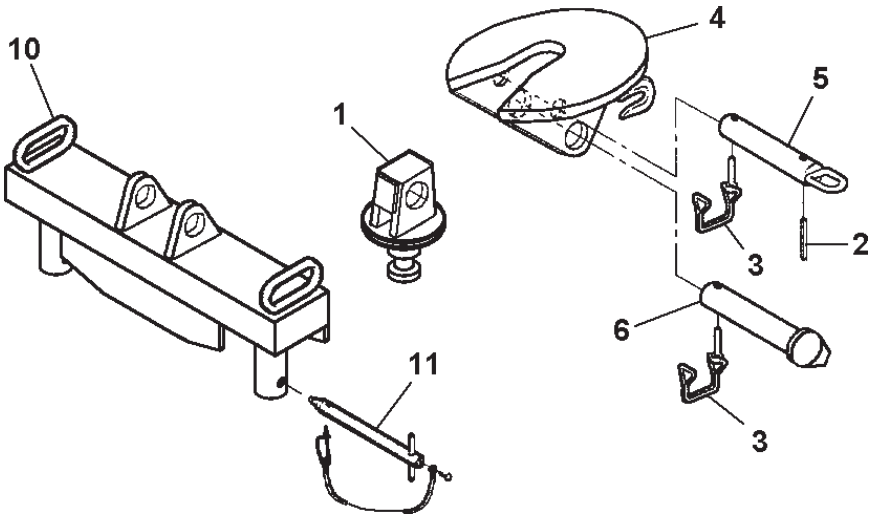
REF. NO.	NO. REQ'D	PART NUMBER	DESCRIPTION
1	3	0300044	CONNECTOR, 6MJ-8MB
2	1	0300365	CLAMP, CHECK VALVE RETAINING, 7"
3	3	0301388	ELBOW, 8MJ-8MB90
4	2	0301425	CONNECTOR, 6MJ-6MP
5	2	0301619	BRANCH TEE, 6MJ-6MJ-6MB
6	4	0301620	ELBOW, 6MJ-6MB90
7	1	0301730	DOUBLE HOLDING VALVE
8	1	0301731	HOLDING VALVE
9	1	0301782	MALE RUN TEE, 6MJ-4MP-6MJ
10	2	0301837	INLINE ORIFICE
11	2	0301997	HOSE ASSEMBLY, 18"
12	1	0301998	HOSE ASSEMBLY, 24"
13	2	0302510	ADAPTER, 6MJ-6MBL
14	1	0302537	FOLD CYLINDER
15	5	0302808	HOSE ASSEMBLY, 18"
16	2	0302813	HOSE ASSEMBLY, 108"
17	2	0302886	HOSE ASSEMBLY, 45"
18	2	0303017	CONNECTOR, 8MB-6FB
19	REF.	0303093	CONTROL VALVE, VDP11DDDC110
20	2	0303902	TILT CYLINDER
21	4	0400078	SCREW, 1/4"-20 X 2" HEX HD CAP
22	4	0400367	NUT, 1/4"-20 HEX NYLOK
23	4	0400451	WASHER, 1/4" FLAT
24	1	0703001	BRACKET, CHECK VALVE MOUNTING

# Section VI - PARTS (cont'd)

## SDU2 LIFT ADAPTERS



## KING PIN & FIFTH WHEEL ADAPTER



## Section VI - PARTS (cont'd)

### SDU2 LIFT ADAPTERS

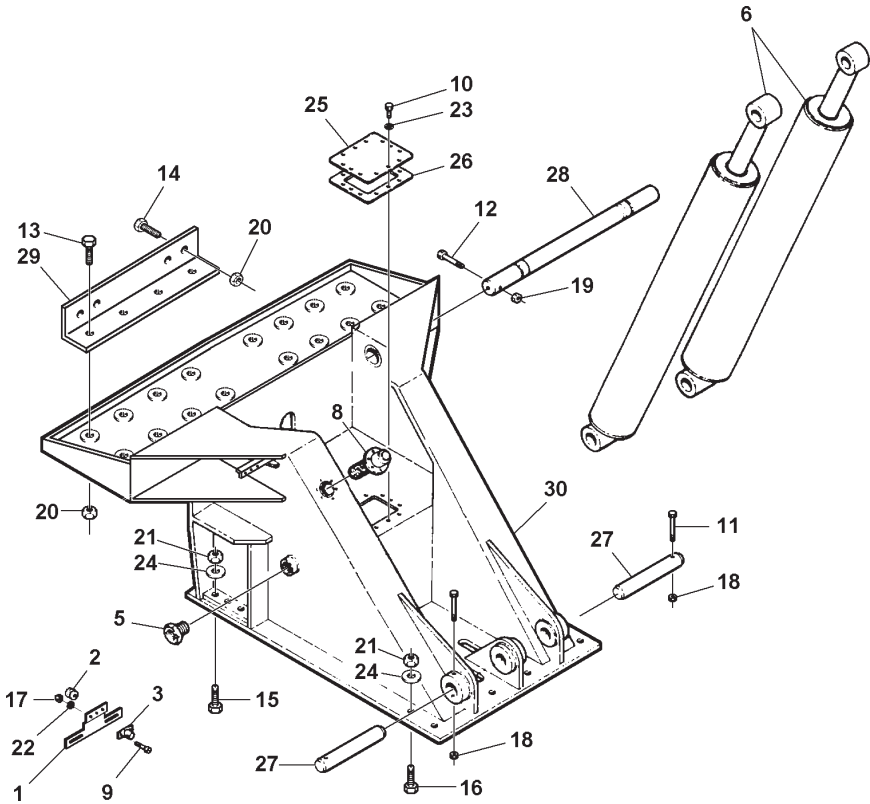
REF. NO.	NO. REQ'D	PART NUMBER	DESCRIPTION
1	2	0200018	FORK, SHORT 3" OPENING
2	2	0200019	FORK, SHORT 4-1/2" OPENING
3	2	0200020	FORK, MEDIUM 3" OPENING
4	2	0200021	FORK, MEDIUM 4-1/2" OPENING
5	2	0200022	FORK, LONG 3" OPENING
6	2	0200023	FORK, LONG 4-1/2" OPENING
7	2	0200024	FORK, OFFSET REAR AXLE 6" OPENING
8	2	0400585	HAIR PIN COTTER, 1-1/4"
9	2	0711002	BOLT, MODIFIED 5/8"-11 X 6" WITH HOLE
10	4	0800590	TEE HANDLE, FORK ADAPTER
11	1	0801186	CHAIN HOOK ADAPTER, RT
12	1	0801187	CHAIN HOOK ADAPTER, LT
13	2	0801459	RISER BRACKET
14	1	0803591	OFFSET FORK ADAPTER, LT
15	1	0803592	OFFSET FORK ADAPTER, RT
16	2	0802810	SPRING LIFT BRACKET
17	2	0900900	RETAINING PIN ASSEMBLY
18	8	0902321	RETAINER PIN, SPRING LIFT BRACKET

### KING PIN ADAPTER

REF. NO.	NO. REQ'D	PART NUMBER	DESCRIPTION
1	1	0803605	KING PIN ADAPTER WELDMENT
	--	0902782	FIFTH WHEEL ADAPTER (COMPLETE)
2	1	0400555	ROLL PIN, 3/8" X 1-1/2"
3	2	HD1259	PIN, SNAPPER
4	1	VA0660	5TH WHEEL PIVOT PLATE WELDMENT
5	1	VA0661	PULL PIN WELDMENT
6	1	VA0662	PIVOT PIN WELDMENT
	--	124002211	PINTLE HOOK KIT (COMPLETE)
7	1	0302198	PINTLE HOOK (NOT SHOWN)
8	4	0400176	SCREW, 1/2"-13 X 1" HEX HD CAP
9	4	0400491	LOCKWASHER, 1/2" HELICAL
10	1	0803604	5TH WHEEL, KING PIN ADAPTER, & PINTLE HOOK BRACKET
11	2	0902378	RETAINING PIN ASSEMBLY

# Section VI - PARTS (cont'd)

## WRECKER FRAME ASSEMBLY





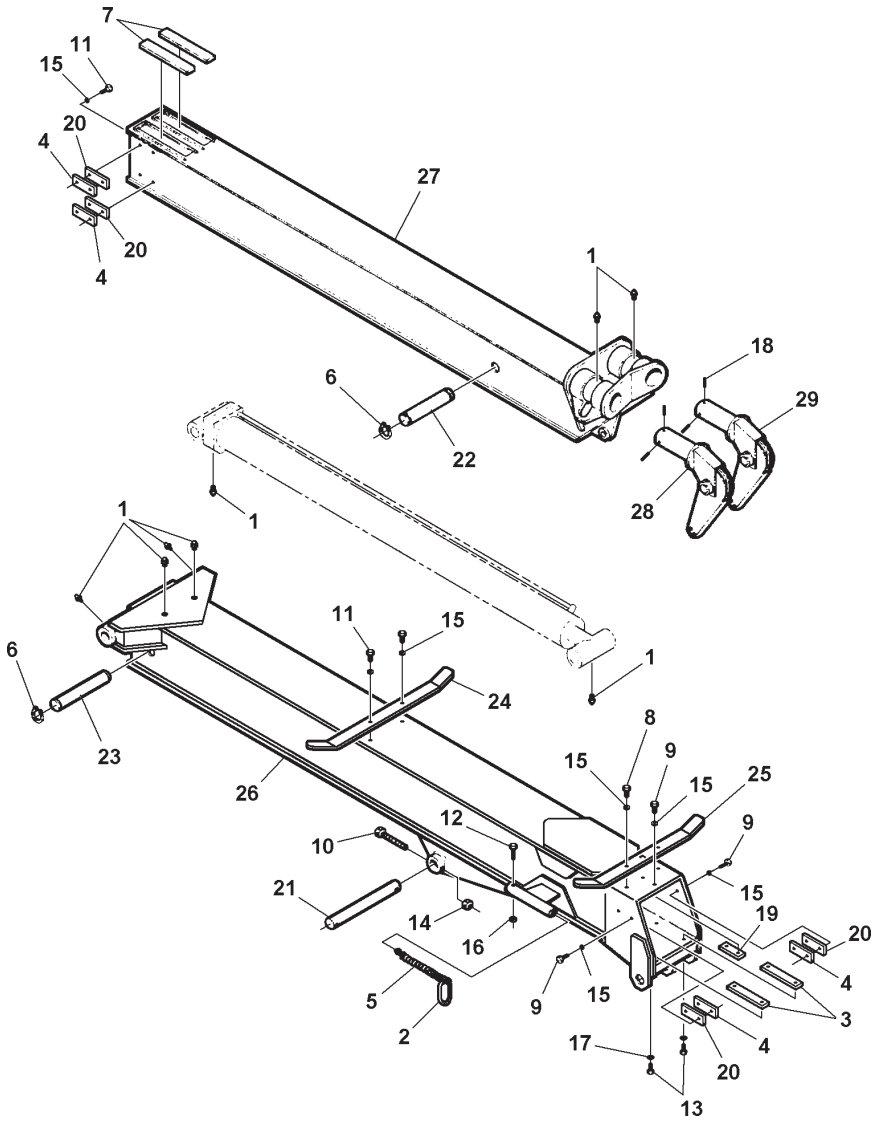
## Section VI - PARTS (cont'd)

### WRECKER FRAME ASSEMBLY

REF. NO.	NO. REQ'D	PART NUMBER	DESCRIPTION
1	1	0300076	LICENSE PLATE BRACKET
2	3	0300117	RUBBER GROMMET, #316
3	1	0300273	LICENSE PLATE ILLUMINATOR
4	1	0301081	CAP PLUG (NOT SHOWN)
5	1	0301541	SIGHT GAUGE, TYPE S-1
6	REF.	0303092	CYLINDER, BOOM LIFT
7	2	0303504	WINCH, DP MODEL S50-50K
8	1	0305006	FILLER CAP
9	2	0400061	SCREW, 1/4"-20 x 3/4" PAN HD SLOTTED
10	12	0400121	SCREW, 3/8"-16 X 3/4" HEX HD CAP
11	2	0400172	SCREW, 3/8"-16 X 3-1/2" HEX HD CAP
12	1	0400180	SCREW, 1/2"-13 X 6" HEX HD CAP
13	16	0400287	SCREW, 3/4"-10 X 3-1/2" HEX HD CAP
14	16	0400288	SCREW, 3/4"-10 X 2-1/2" HEX HD CAP
15	8	0400333	SCREW, 1"-8 X 4-1/2" HEX HD CAP
16	6	0400334	SCREW, 1"-8 X 3-1/2" HEX HD CAP
17	2	0400366	NUT, 1/4"-20 HEX
18	2	0400392	NUT, 3/8"-16 NYLOK HEX
19	1	0400407	NUT, 1/2"-13 HEX
20	32	0400431	NUT, 3/4"-10 NYLOK HEX
21	14	0400443	NUT, 1"-8 NYLOK HEX
22	2	0400452	LOCKWASHER, 1/4" HELICAL
23	12	0400481	LOCKWASHER, 3/8" HELICAL
24	14	0400518	WASHER, 1" FLAT
25	1	0700487	CLEAN OUT COVER
26	1	0701316	COVER GASKET
27	2	0703737	SHAFT, LIFT CYLINDER PIVOT
28	1	0703738	SHAFT, BOOM
29	4	0711998	ANGLE, WINCH MOUNTING
30	1	0803433	WRECKER FRAME WELDMENT

# Section VI - PARTS (cont'd)

## BOOM ASSEMBLY



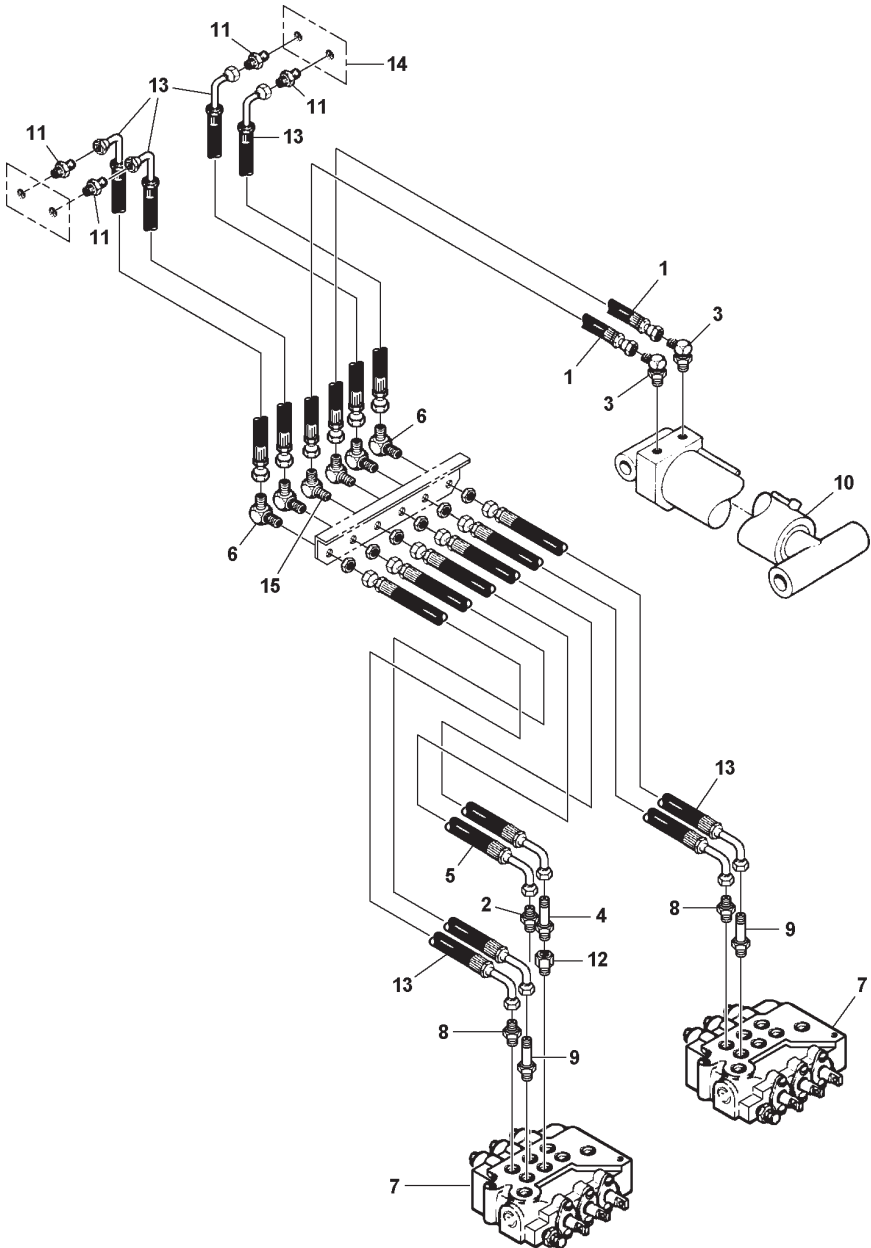
## Section VI - PARTS (cont'd)

### BOOM ASSEMBLY

REF. NO.	NO. REQ'D	PART NUMBER	DESCRIPTION
1	8	0300113	GREASE FITTING
2	2	0301691	OBLONG MASTER LINK
3	2	0301923	SLIDE PAD, BOOM BOTTOM
4	6	0301924	SLIDE PAD, BOOM SIDE
5	2	0302273	SPRING, WINCH CABLE TIE BACK
6	4	0305023	SNAP RING
7	2	0305031	SLIDE PAD, INNER BOOM
8	2	0400122	SCREW, 3/8"-16 X 1-1/4" HEX HD CAP
9	8	0400126	SCREW, 3/8"-16 X 1" HEX HD CAP
10	2	0400130	SCREW, 3/8"-16 X 3-1/2" HEX HD CAP
11	2	0400141	SCREW, 3/8"-16 X 7/8" HEX HD CAP
12	2	0400205	SCREW, 1/2"-13 X 3" HEX HD CAP
13	4	0400248	SCREW, 5/8"-11 X 1" HEX HD CAP
14	2	0400392	NUT, 3/8"-16 HEX NYLOK
15	20	0400482	LOCKWASHER, 3/8" HELICAL
16	2	0400408	NUT, 1/2"-13 HEX NYLOK
17	4	0400508	LOCKWASHER, 5/8" HELICAL
18	6	0400557	ROLL PIN, 1/2" X 1-1/4"
19	2	0700778	TOP SPACER, OUTER BOOM
20	6	0703734	SHIM, OUTER BOOM SIDE PLATE
21	2	0703736	SHAFT, CYLINDER PIVOT
22	1	0703739	SHAFT, EXTEND CYLINDER ROD END
23	1	0703740	SHAFT, EXTEND CYLINDER BASE END
24	1	0706042	CABLE WING, LONG
25	1	0706043	CABLE WING, MEDIUM
26	1	0801085	OUTER BOOM
27	1	0804024	INNER BOOM
28	1	0901673	BOOM SWIVEL ASSEMBLY, LEFT
29	1	0901674	BOOM SWIVEL ASSEMBLY, RIGHT

# Section VI - PARTS (cont'd)

## WRECKER HYDRAULICS (LESS BOOM ELEVATION HYDRAULICS)

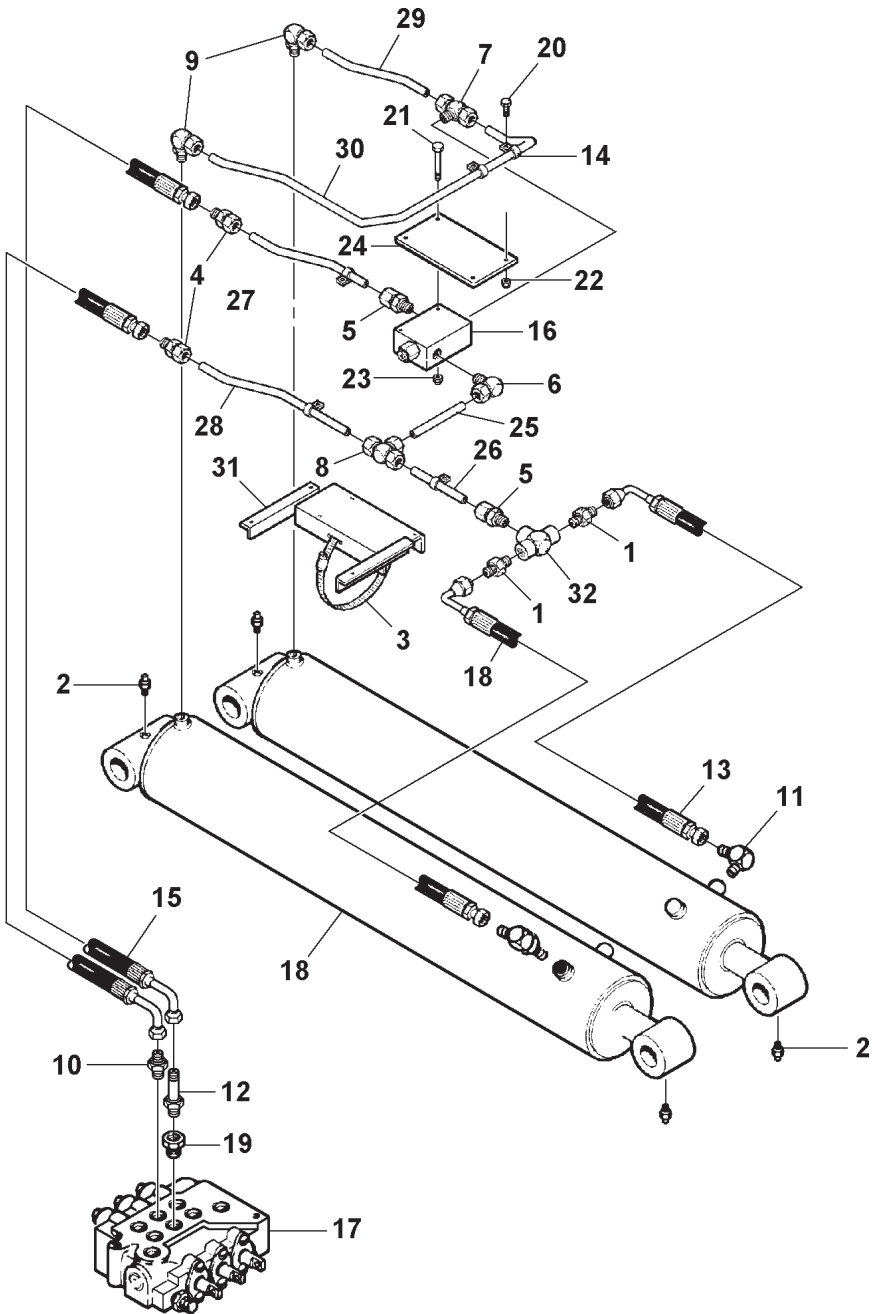


**Section VI - PARTS (cont'd)**  
**WRECKER HYDRAULICS**  
**(LESS BOOM ELEVATION HYDRAULICS)**

REF. NO.	NO. REQ'D	PART NUMBER	DESCRIPTION
1	2	0300659	HOSE ASSEMBLY, 45"
2	1	0301376	CONNECTOR, 8MJ-10MB
3	2	0301388	ELBOW, 8MJ-8MB90
4	1	0301445	EXTENDED CONNECTOR, 8MJ-8MB
5	2	0301893	HOSE ASSEMBLY, 84"
6	4	0301982	BULKHEAD ELBOW w/ NUT, 12MJ90
7	REF.	0302296	CONTROL VALVE, VDP12CDD118
8	2	0302827	CONNECTOR, 10MJ-10MB
9	2	0302828	EXTENDED CONNECTOR, 10MJ-10MB
10	1	0302830	CYLINDER, EXTEND
11	4	0303079	CONNECTOR, 10MJ-8MB
12	1	0303176	ADAPTER, 10MB-8FB
13	8	0303349	HOSE ASSEMBLY, 81"
14	REF.	0303504	WINCH, DP MODEL S50-50K (NOT SHOWN)
15	2	0303590	BULKHEAD ELBOW w/NUT, 8MJ90

# Section VI - PARTS (cont'd)

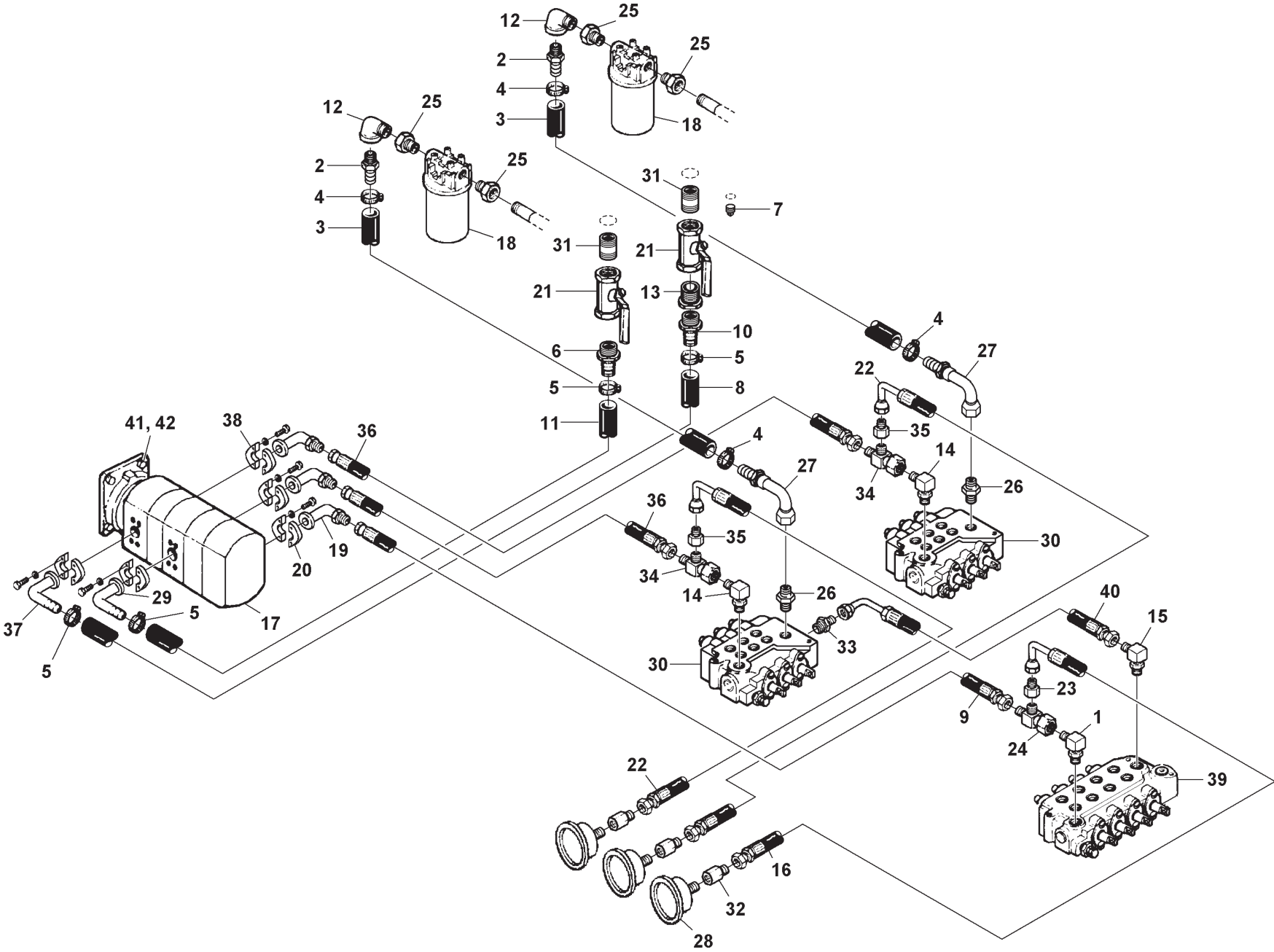
## BOOM ELEVATION HYDRAULICS



**Section VI - PARTS (cont'd)**  
**BOOM ELEVATION HYDRAULICS**

REF. NO.	NO. REQ'D	PART NUMBER	DESCRIPTION
1	2	0300040	CONNECTOR, 8MJ-8MP
2	4	0300113	GREASE FITTING
3	1	0300644	HOSE CLAMP, 8"
4	2	0300761	STRAIGHT ADAPTER
5	2	0300762	MALE CONNECTOR
6	1	0300763	MALE ELBOW
7	1	0300766	MALE BRANCH TEE
8	1	0300767	TEE UNION
9	2	0300901	ELBOW
10	1	0301376	CONNECTOR, 8MJ-10MB
11	2	0301388	ELL, 8MJ-8MB90
12	1	0301445	EXTENDED CONNECTOR, 8MJ-8MB
13	2	0301471	HOSE ASSEMBLY, 30"
14	5	0301487	HOSE CLAMP, 1/2"
15	2	0301712	HOSE ASSEMBLY, 64"
16	1	0301906	HOLDING VALVE
17	REF.	0302296	CONTROL VALVE, VDP12CDD118
18	2	0303092	BOOM LIFT CYLINDER
19	1	0303176	ADAPTER, 10MB-8FB
20	5	0400066	SCREW, 1/4"-20 X 3/4" HEX HD CAP
21	5	0400367	NUT, 1/4"-20 HEX NYLOK
22	1	0701680	CLAMP BRACKET, HYD TUBE
23	1	0709708	TUBE, LIFT CYLINDER HYDRAULIC
24	1	0709709	TUBE, EXT. LIFT CYLINDER HYDRAULIC
25	1	0709710	TUBE, EXT. LIFT CYLINDER HYDRAULIC
26	1	0709711	TUBE, EXT. LIFT CYLINDER HYDRAULIC
27	1	0709712	TUBE, LIFT CYLINDER HYDRAULIC
28	1	0709713	TUBE, LIFT CYLINDER HYDRAULIC
29	1	0802883	HOLDING VALVE BRACKET WELDMENT
30	1	HC1413	TEE FITTING

**Section VI - PARTS (cont'd)**  
**PUMP, VALVE & FILTER HYDRAULICS**





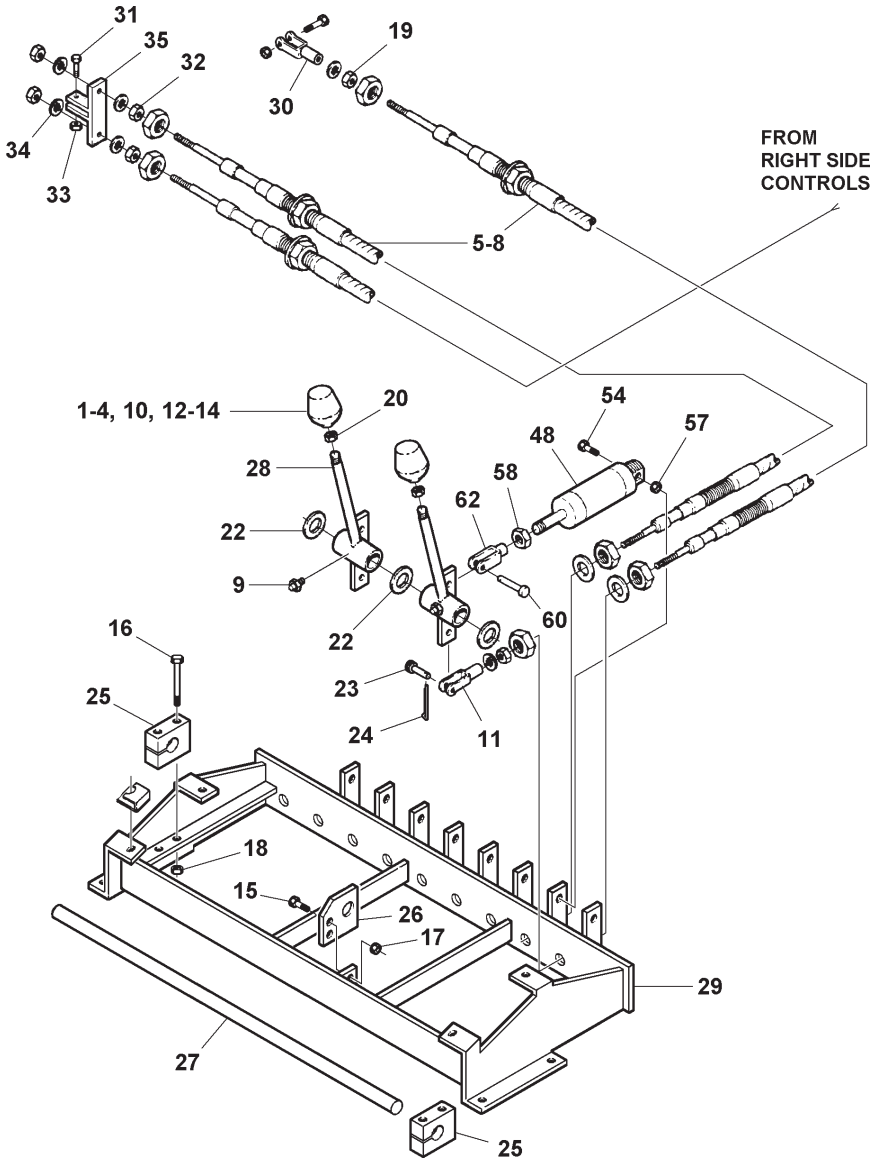
## Section VI - PARTS (cont'd)

### PUMP, VALVE & FILTER HYDRAULICS

REF. NO.	NO. REQ'D	PART NUMBER	DESCRIPTION
1	1	0300052	ELBOW, 8MJ-10MB90
2	2	0300056	BARB, 16C4-16MP
3	18 FT.	0300058	SUCTION HOSE, 1"
4	4	0300071	HOSE CLAMP, 1"
5	4	0300364	HOSE CLAMP, 1" - 2-1/4"
6	1	0300434	HOSE BARB, 2" 32C4-32MP
7	1	0300446	PIPE PLUG, 3/4" MALE
8	15 ft.	0300558	SUCTION HOSE, 2"
9	1	0300660	HOSE ASSEMBLY, 120"
10	1	0300666	BARB, 24C4-24MP
11	1	0300671	SUCTION HOSE, 1-1/2"
12	2	0300692	STREET ELBOW, 1" 90°
13	1	0301373	PIPE BUSHING
14	2	0301545	ELBOW, 12MJ-12MB90
15	1	0301547	ELBOW, 8MJ-12MB90
16	1	0301695	HOSE ASSEMBLY, 91"
17	1	0301836	HYDRAULIC PUMP
18	2	0301894	SPIN-ON FILTER ASSEMBLY
19	1	0301904	ELBOW, 8MJ-12FL90
20	1	0301905	O-RING FLANGE KIT, 12FH
21	2	0301961	BALL VALVE, BRONZE
22	2	0301965	HOSE ASSEMBLY, 131"
23	2	0301995	ADAPTER, 8FJ-6MJ
24	1	0302052	RUN TEE, 8MJ-8FJX-8MJ
25	4	0302108	REDUCER BUSHING, 20MP-16FP
26	2	0302169	O-RING CONNECTOR, 16MJ-12MB
27	2	0302170	BENT TUBE SWIVEL, 16C2-16FJX90
28	3	0302205	GAUGE, FLUSH MOUNT, 6000 PSI
29	1	0302242	FLANGE FITTING, 24FL-24HOSE90
30	2	0302296	CONTROL VALVE, VDP12CDD118
31	2	0302367	PIPE NIPPLE, 2" x 4"
32	3	0302577	CONNECTOR, 6MJ-4FP
33	1	0302757	CONNECTOR, 8MJ-16MB
34	2	0302826	TEE, 12MJ-12FJX-12MJ
35	2	0302829	ADAPTER, 12FJ-6MJ
36	2	0302901	HOSE ASSEMBLY, 120"
37	1	0302931	ELBOW, FLANGE 24-32FL90 w/ FLANGE KIT
38	2	0302932	ELBOW, 12MJ-20FL90 w/ FLANGE KIT
39	2	0303093	CONTROL VALVE, VDP11DDDC110
40	1	0303182	HOSE ASSEMBLY, 41"
41	4	0400177	SCREW, 1/2"-13 X 1-1/4" HEX HD CAP
42	4	0400491	LOCKWASHER, 1/2" HELICAL

# Section VI - PARTS (cont'd)

## LEFT CONTROL ASSEMBLY

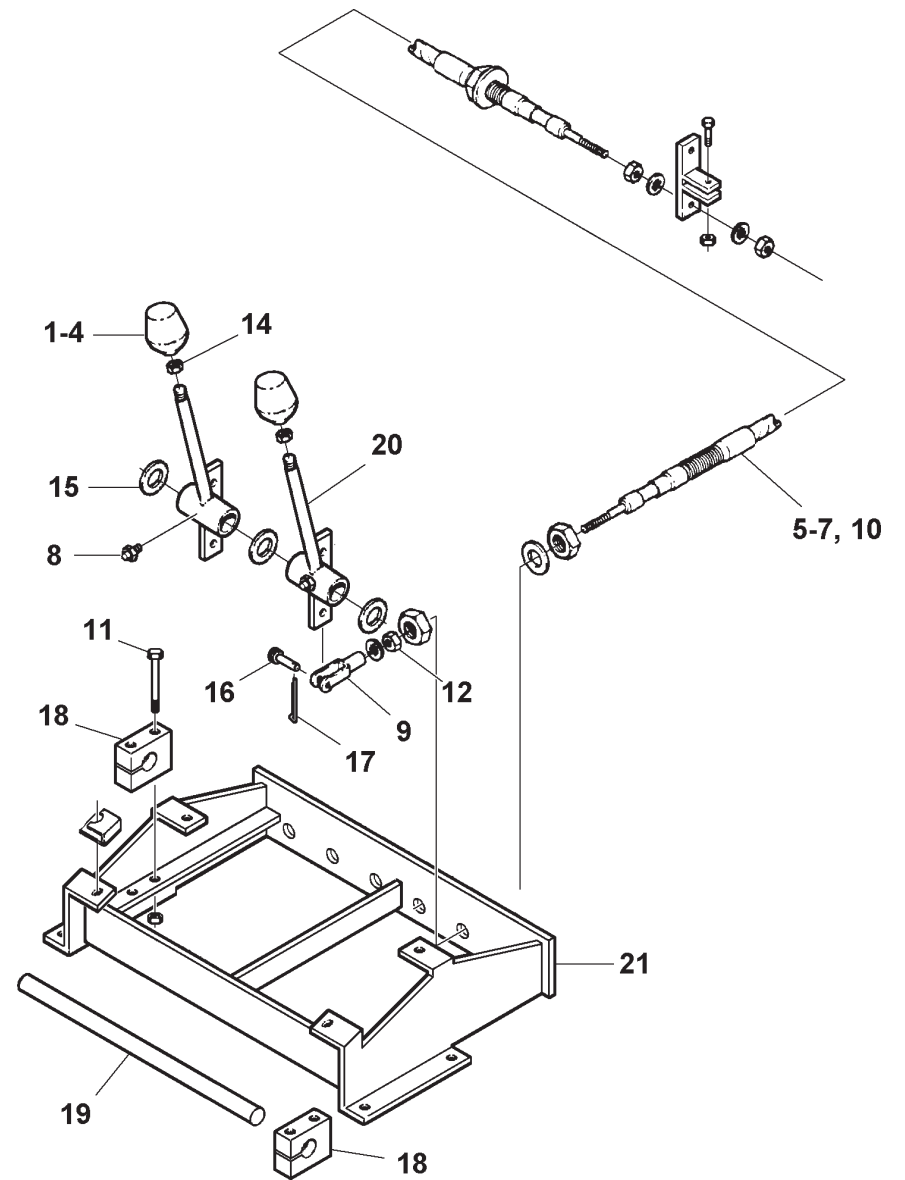


**Section VI - PARTS (cont'd)**  
**LEFT CONTROL ASSEMBLY**

REF. NO.	NO. REQ'D	PART NUMBER	DESCRIPTION
1	2	0300834	KNOB, IN-OUT
2	1	0300835	KNOB, BOOM UP-DOWN
3	2	0300836	KNOB, JACK UP-DOWN
4	1	0300837	KNOB, BOOM IN-OUT
5	2	0301884	CONTROL CABLE, 96"
6	1	0301969	CONTROL CABLE, 84"
7	2	0302455	CONTROL CABLE, 79"
8	1	0302457	CONTROL CABLE, 104"
9	10	0302726	GREASE FITTING, 1/4"-28 X 45 $\infty$
10	1	0302856	KNOB, TILT UP-DOWN
11	10	0303008	ADJUSTABLE CLEVIS
12	1	0303380	KNOB, UNDERLIFT IN-OUT
13	1	0303381	KNOB, UNDERLIFT UP-DOWN
14	1	0303382	KNOB, FOLD UP-DOWN
15	2	0400066	SCREW, 1/4"-20 X 3/4" HEX HD CAP
16	4	0400107	SCREW, 5/16"-18 X 2-1/2" HEX HD CAP
17	2	0400367	NUT, 1/4"-20 HEX NYLOK
18	4	0400382	NUT, 5/16"-18 HEX NYLOK
19	10	0400383	NUT, 5/16"-24 HEX
20	10	0400393	NUT, 3/8"-16 HEX JAM
21	4	0400451	WASHER, 1/4" FLAT
22	10	0400512	WASHER, 3/4" FLAT (SPECIAL)
23	10	0400532	CLEVIS PIN, 5/16" X 1"
24	10	0400541	COTTER PIN, 1/16" X 3/4"
25	2	0711235	SHAFT CLAMP, CONTROL BOX
26	1	0711245	SHAFT SUPPORT PLATE
27	1	0714265	PIN, CONTROL BOX
28	10	0803294	CONTROL HANDLE WELDMENT
29	1	0804081	CONTROL FRAME WELDMENT
--	--	0903820	LEFT & RIGHT SIDE CONTROL LINK KIT
30	3	0303008	ADJUSTABLE CLEVIS
31	9	0400112	SCREW, 5/16"-24 X 1-1/4" HEX HD CAP
32	27	0400383	NUT, 5/16"-24 HEX

REF. NO.	NO. REQ'D	PART NUMBER	DESCRIPTION
33	9	0400384	NUT, 5/16"-24 HEX NYLOK
34	24	0400466	LOCKWASHER, 5/16" INTERNAL TOOTH
35	6	0801054	CONTROL CABLE CONNECTOR
--	--	0904364	4 FUNCTION REMOTE CONTROL (Not Shown)
36	10	0300166	WIRE CONNECTOR, SPADE
37	1	0301574	ELBOW, 4TB-4MP90
38	15 FT.	0301577	AIR HOSE, 1/4" O.D.
39	2	0301610	CONNECTOR, 4TB-4MP
40	2	0301618	BRASS PLUG, 4MP
41	35	0302434	CABLE TIE, 4"
42	1	0302677	BREATHER VENT, 2MP
43	16	0302678	ELBOW, 4MP-2MP90
44	1	0302844	AIR SOLENOID VALVE, 8 POSITION
45	1	0303226	CIRCUIT BREAKER, HI-AMP WATERPROOF
46	1	0303235	TERMINAL BLOCK
47	8 FT.	0303322	ELECTRICAL CABLE, 16/10 SO
48	4	0303335	AIR CYLINDER
49	1	0303363	AIR FILTER/REGULATOR
50	1	0303364	AIR LUBRICATOR
51	1	0303365	MOUNTING BRACKET
52	1	0303781	POWER PAL, 8 POSITION
53	2	0400025	SCREW, #8-32 X 3/4" RD HD SLOTTED SS
54	4	0400057	SCREW, 1/4"-20 X 1-1/4" HEX HD CAP
55	2	0400078	SCREW, 1/4"-20 X 2" HEX HD CAP
56	2	0400351	HEX NUT & STAR WASHER, #8-32
57	6	0400367	NUT, 1/4"-20 HEX NYLOK
58	4	0400401	NUT, 7/16"-20 HEX JAM
59	2	0400451	WASHER, 1/4" FLAT
60	4	0400527	CLEVIS PIN, 5/16" X 5/8"
61	1	0711277	SUPPORT, SOLENOID VALVE
62	4	0803181	CLEVIS WELDMENT
63	1	HA0132	GAUGE, 0-160 PSI

# Section VI - PARTS (cont'd) RIGHT CONTROL ASSEMBLY



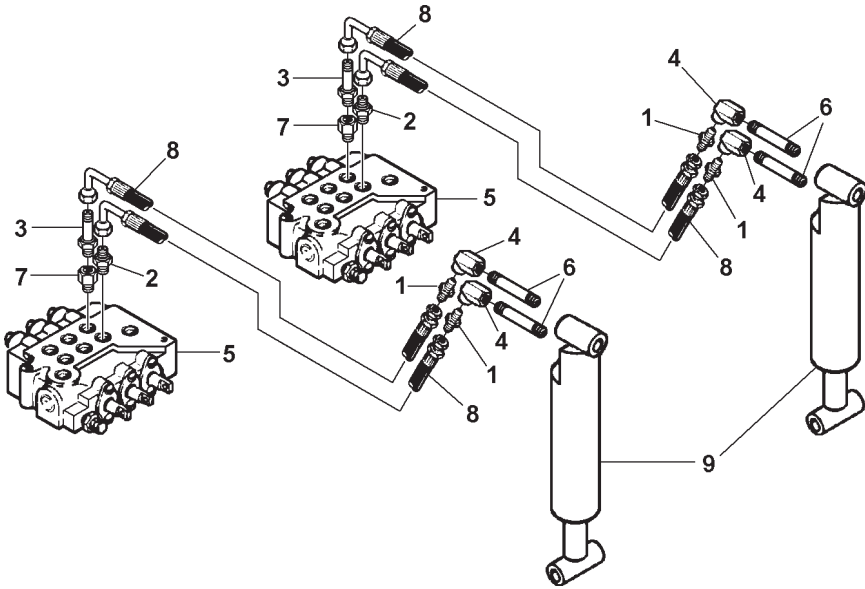
## Section VI - PARTS (cont'd)

### RIGHT CONTROL ASSEMBLY

REF. NO.	NO. REQ'D	PART NUMBER	DESCRIPTION
1	2	0300834	KNOB, IN-OUT
2	1	0300835	KNOB, BOOM UP-DOWN
3	2	0300836	KNOB, JACK UP-DOWN
4	1	0300837	KNOB, BOOM IN-OUT
5	3	0301884	CONTROL CABLE, 96"
6	1	0301969	CONTROL CABLE, 84"
7	1	0302457	CONTROL CABLE, 104"
8	6	0302726	GREASE FITTING, 1/4"-28 X 45 <sup>00</sup>
9	6	0303008	ADJUSTABLE CLEVIS
10	1	0303427	CONTROL CABLE, 114"
11	4	0400107	SCREW, 5/16"-18 X 2-1/2" HEX HD CAP
12	4	0400382	NUT, 5/16"-18 HEX NYLOK
13	6	0400383	NUT, 5/16"-24 HEX
14	6	0400393	NUT, 3/8"-16 HEX JAM
15	7	0400512	WASHER, 3/4" FLAT (SPECIAL)
16	6	0400532	CLEVIS PIN, 5/16" X 1"
17	6	0400541	COTTER PIN, 1/16" X 3/4"
18	2	0711235	SHAFT CLAMP, CONTROL BOX
19	1	0711247	PIN
20	6	0803294	CONTROL HANDLE WELDMENT
21	1	0804061	CONTROL FRAME WELDMENT

# Section VI - PARTS (cont'd)

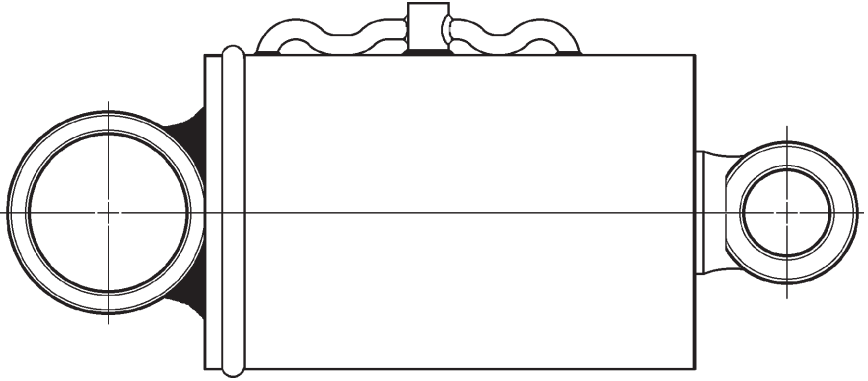
## SPADE HYDRAULICS



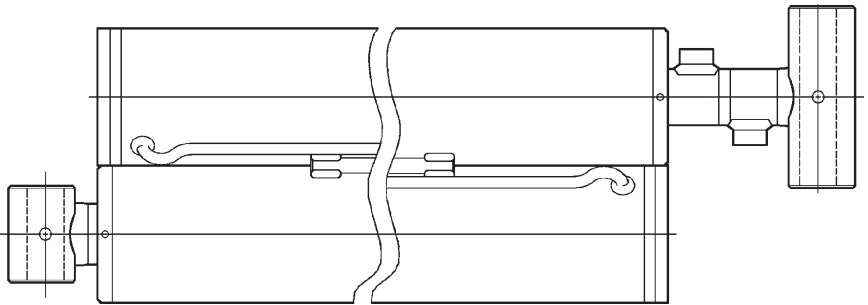
REF. NO.	NO. REQ'D	PART NUMBER	DESCRIPTION
1	4	0300040	CONNECTOR, 8MJ-8MP
2	2	0301376	CONNECTOR, 8MJ-10MB
3	2	0301445	EXTENDED CONNECTOR, 8MJ-8MBL
4	4	0301816	FITTING, 8FP-8FP45
5	REF.	0302296	CONTROL VALVE, VDP12CDD118
6	4	0302980	PIPE NIPPLE, BLACK 1/2" X 5"
7	2	0303176	CONNECTOR, 10MB-8FB
8	4	0303588	HOSE ASSEMBLY, 108"
9	2	0303688	SPADE CYLINDER

## Section VI - PARTS (cont'd)

### HYDRAULIC CYLINDERS - UNDERLIFT

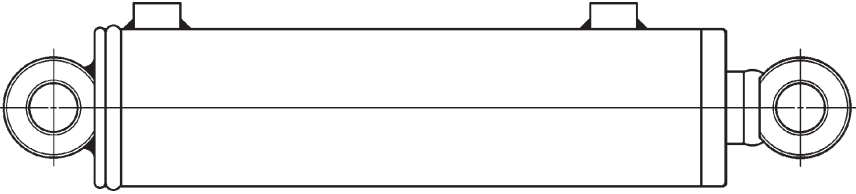


REF. NO.	NO. REQ'D	PART NUMBER	DESCRIPTION
1	1	HC0159	UNDERLIFT LIFT CYLINDER
2		0304522	SEAL KIT, UNDERLIFT LIFT CYLINDER

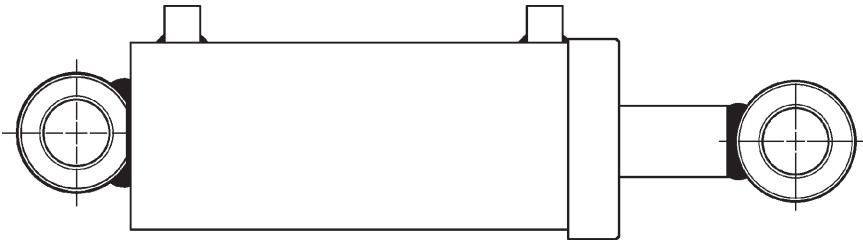


REF. NO.	NO. REQ'D	PART NUMBER	DESCRIPTION
1	1	0303501	UNDERLIFT EXTEND CYLINDER
2		SK10988	SEAL KIT, UNDERLIFT EXTEND CYLINDER

**Section VI - PARTS (cont'd)**  
**HYDRAULIC CYLINDERS - UNDERLIFT**



REF. NO.	NO. REQ'D	PART NUMBER	DESCRIPTION
1	1	0302537	UNDERLIFT FOLD CYLINDER
2		0304459	SEAL KIT, UNDERLIFT FOLD CYLINDER

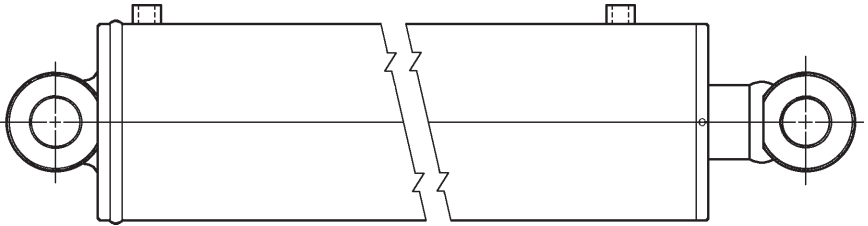


REF. NO.	NO. REQ'D	PART NUMBER	DESCRIPTION
1	2	0303902	UNDERLIFT TILT CYLINDER
2		SCH0303902	SEAL KIT, UNDERLIFT TILT CYLINDER

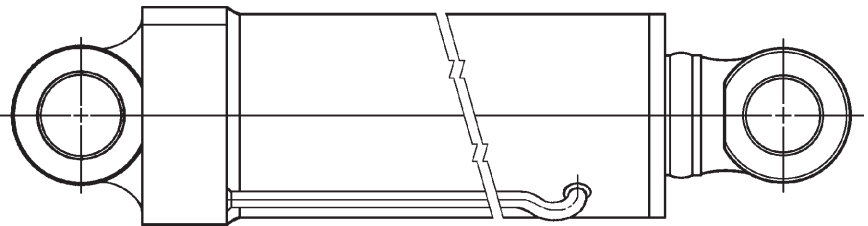


# Section VI - PARTS (cont'd)

## HYDRAULIC CYLINDERS - WRECKER



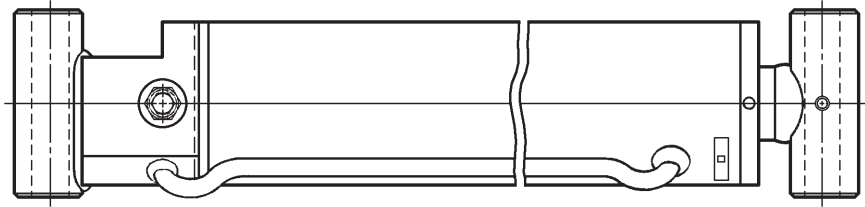
REF. NO.	NO. REQ'D	PART NUMBER	DESCRIPTION
1	2	0303092	BOOM LIFT CYLINDER
2		0304334	SEAL KIT, BOOM LIFT CYLINDER



REF. NO.	NO. REQ'D	PART NUMBER	DESCRIPTION
1	1	0302830	BOOM EXTEND CYLINDER
2		0304333	SEAL KIT, BOOM EXTEND CYLINDER

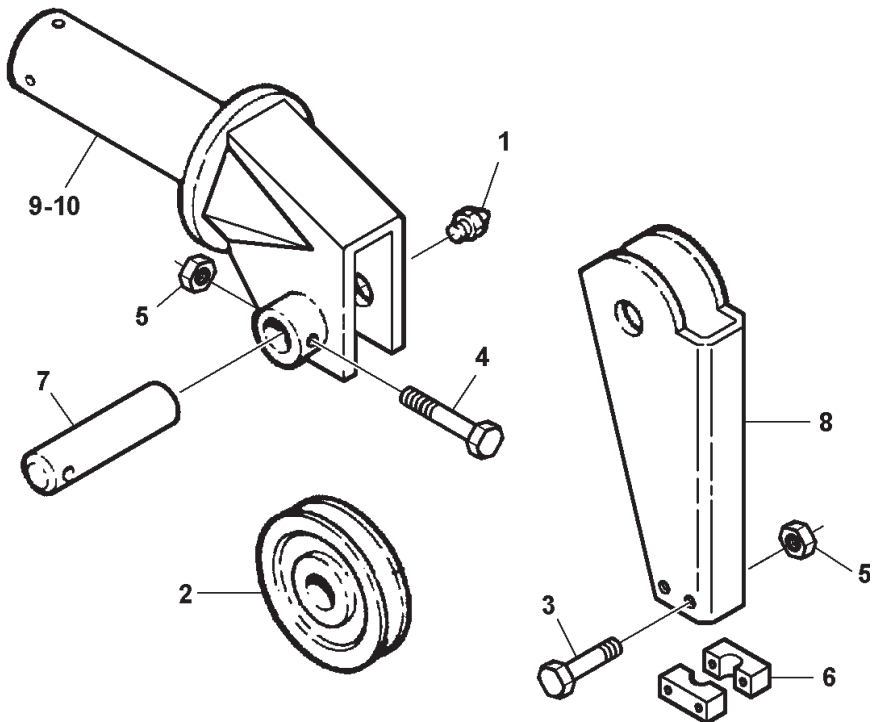
# Section VI - PARTS (cont'd)

## HYDRAULIC CYLINDERS - REAR SPADE



REF. NO.	NO. REQ'D	PART NUMBER	DESCRIPTION
1	2	0303688	SPADE CYLINDER
2		0300830	SEAL KIT, SPADE CYLINDER

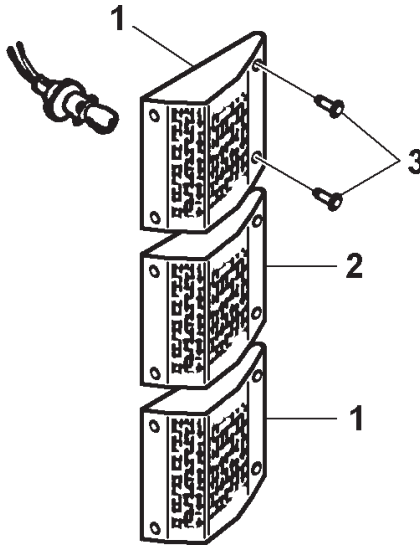
## Section VI - PARTS (cont'd) BOOM END SWIVEL ASSEMBLY



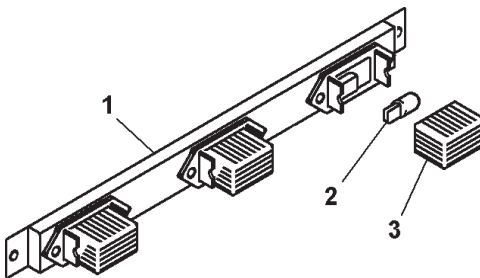
REF. NO.	NO. REQ'D	PART NUMBER	DESCRIPTION
1	1	0300113	GREASE FITTING
2	1	0300311	SHEAVE, 10"
3	2	0400133	SCREW, 3/8"-16 X 3" HEX HD CAP
4	1	0400140	SCREW, 3/8"-16 X 4" HEX HD CAP
5	3	0400392	NUT, 3/8"-16 NYLOK HEX
6	2	0700511	CABLE GUIDE, BOTTOM
7	1	0700563	SHAFT, SHEAVE
8	1	0802027	CABLE GUIDE WELDMENT
9	1	0803577	SWIVEL WELDMENT, LEFT
10	1	0803578	SWIVEL WELDMENT, RIGHT

# Section VI - PARTS (cont'd)

## MODULAR LIGHT KIT



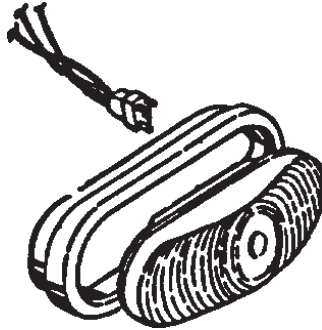
REF. NO.	NO. REQ'D	PART NUMBER	DESCRIPTION
1	4	0302542	LIGHT, STOP & TURN
2	2	0302543	LIGHT, CLEAR BACKUP
3	24	0400025	SCREW, #8-32 X 3/4" RD HD SLOTTED



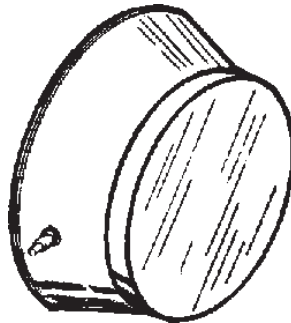
REF. NO.	NO. REQ'D	PART NUMBER	DESCRIPTION
1	1	0300442	3-LIGHT BAR ASSEMBLY (COMPLETE)
2	3	0300507	BULB, MARKER LIGHT
3	24	0400025	LENS, 3-LIGHT BAR

## Section VI - PARTS (cont'd)

### MODULAR LIGHT KIT

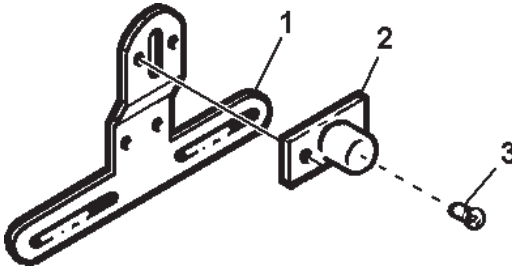


REF. NO.	NO. REQ'D	PART NUMBER	DESCRIPTION
1	4	0302201	LIGHT, FLOOD (COMPLETE)
2	2	0302611	LIGHT, AMBER OVAL (COMPLETE)



REF. NO.	NO. REQ'D	PART NUMBER	DESCRIPTION
1	18	0302544	LIGHT, DOME (COMPLETE)

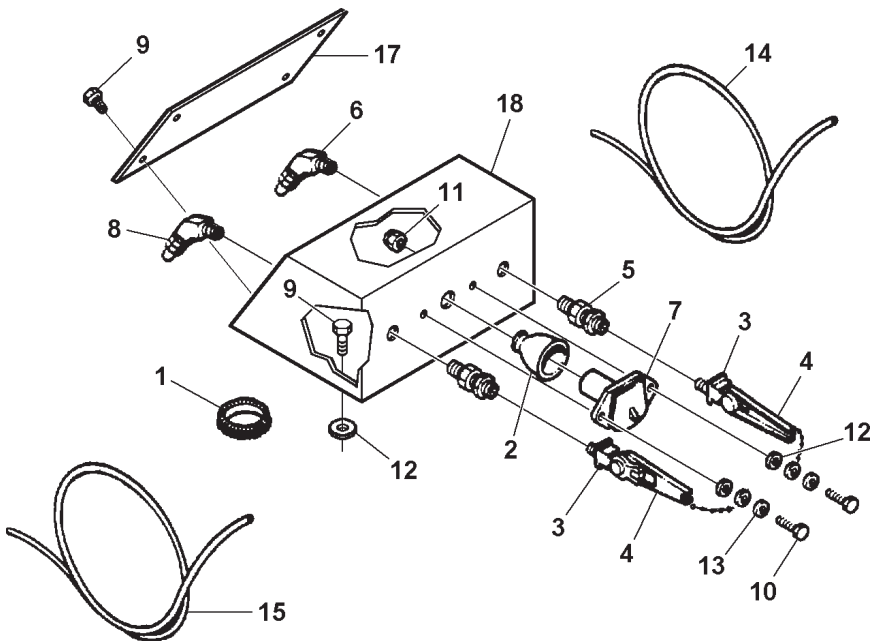
**Section VI - PARTS (cont'd)**  
**MODULAR LIGHT KIT**



REF. NO.	NO. REQ'D	PART NUMBER	DESCRIPTION
1	1	0300076	LICENSE PLATE BRACKET
2	1	0300273	LICENSE PLATE ILLUMINATOR
3	1	0300512	BULB, LICENSE PLATE ILLUMINATOR

## Section VI - PARTS (cont'd)

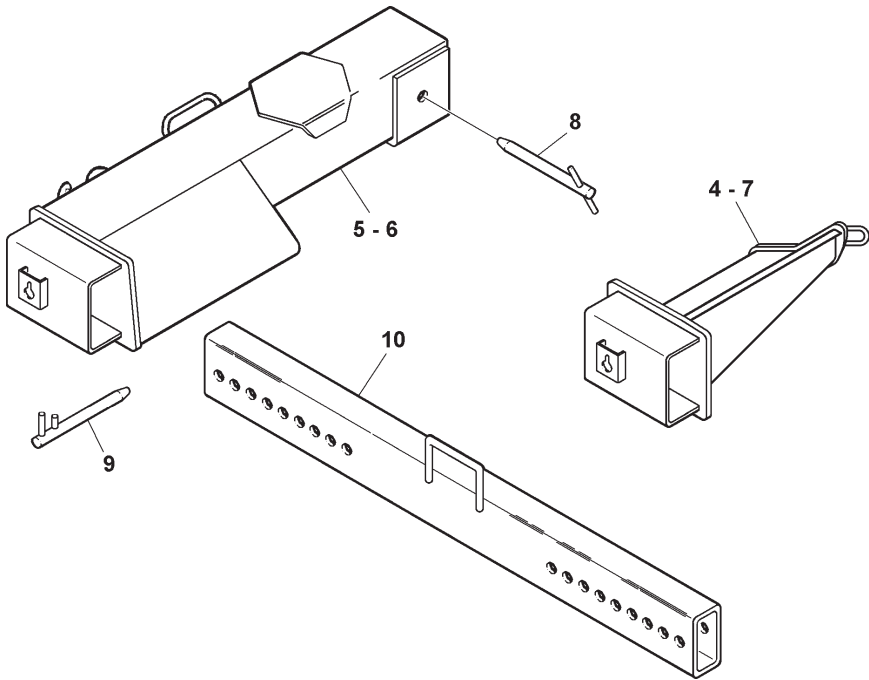
### GLAD HAND ASSEMBLY



REF. NO.	NO. REQ'D	PART NUMBER	DESCRIPTION
1	1	0301862	CATERPILLAR GROMMET
2	1	0301909	RECEPTACLE BOOT
3	2	0301944	GLAD HAND COUPLING
4	2	0301945	GLAD HAND BOOT
5	2	0301946	BULKHEAD CONNECTOR
6	1	0301947	45° ADAPTER, 1/4" NPM X 3/8" SYN. HOSE
7	1	0301948	HD 7-WAY TRAILER CONNECTOR
8	1	0302534	45° ELBOW, 1/4" NPM X 1/2" SYN. HOSE
9	9	0400062	SCREW, 1/4"-20 X 3/4" HEX HD SELF-TAP
10	2	0400070	SCREW, 1/4"-20 X 1" HEX HD CAP
11	2	0400367	NUT, 1/4"-20 HEX NYLOCK
12	6	0400451	WASHER, 1/4" FLAT
13	2	0400463	WASHER, 5/16" FLAT
14	1	0703795	HOSE, 3/8" X 4 FT. SYNTHETIC
15	1	0706925	HOSE, 1/2" X 4 FT. SYNTHETIC
16	1	0710003	SUPPORT, GLAD HAND BOX (NOT SHOWN)
17	1	0710444	LID, GLAD HAND HOUSING
18	1	0802151	GLAD HAND HOUSING

# Section VI - PARTS (cont'd)

## TRUCK WHEEL LIFT



REF. NO.	NO. REQ'D	PART NUMBER	DESCRIPTION
1	2	0301932	5/16" X 12' H.T. CHAIN ASSEMBLY (N.S.)
2	2	0300311	RATCHET WITH HOOK (N.S.)
3	2	0303680	TIE DOWN STRAP, ADJUSTABLE (N.S.)
4	1	0802839	TIRE SUPPORT, RIGHT
5	1	0802841	OUTER CROSSTUBE, LEFT
6	1	0802842	OUTER CROSSTUBE, RIGHT
7	1	0802877	TIRE SUPPORT, LEFT
8	2	0902947	CROSSTUBE RETAINER PIN
9	4	0903089	RETAINER PIN
10	2	0903480	ADJUSTMENT TUBE
11	2	CH0100	5/16" HOOK WITH PIN (NOT SHOWN)





## **CENTURYÆ**

Miller Industries Towing Equipment Inc.

**8503 Hilltop Drive • Ooltewah, Tennessee 37363 • (423) 238-4171**

**[www.millerind.com](http://www.millerind.com)**